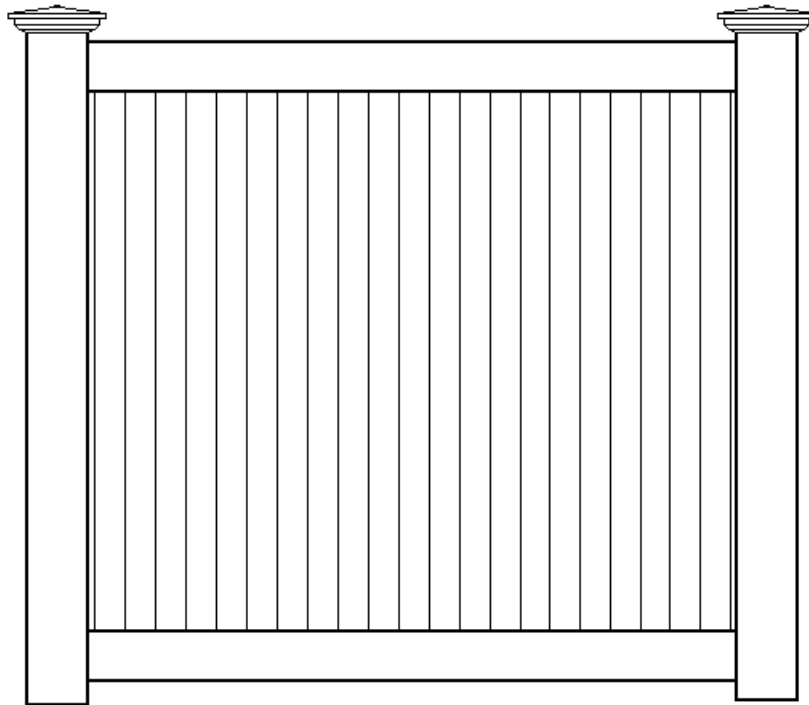




Vinyl Fence Installation Instructions

Privacy Fence Installation Instructions





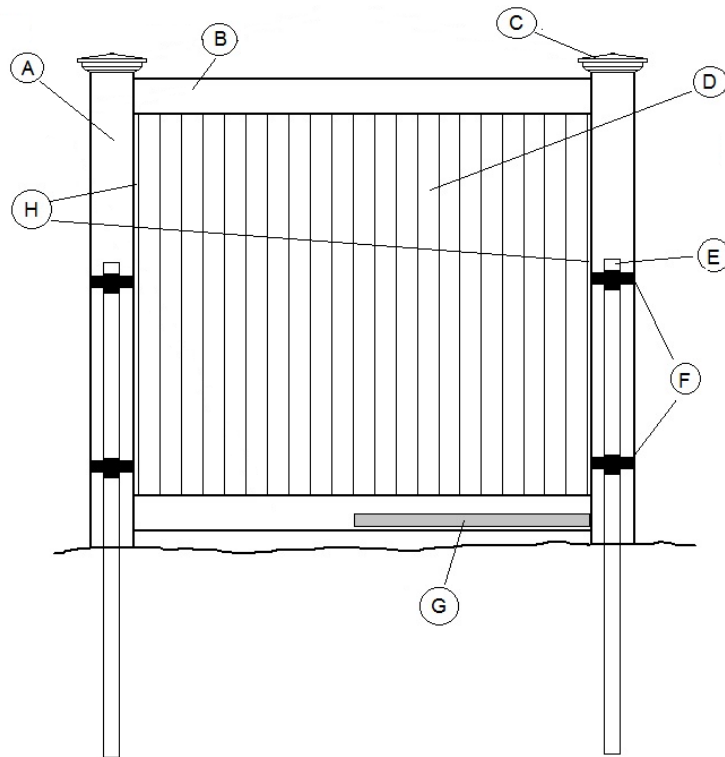
Vinyl Fence Installation Instructions

Tips Before You Start

- Read this instruction sheet completely.
- During fence assembly, work on a soft, non-abrasive surfaces where possible to avoid scratching the PVC.
- When cutting PVC components with a power saw, use a fine-toothed blade (plywood blade, finishing blade, or a metal blade).
- Laying out the fence is the critical first step toward ensuring a quality installation.

Fence components (8' wide section)

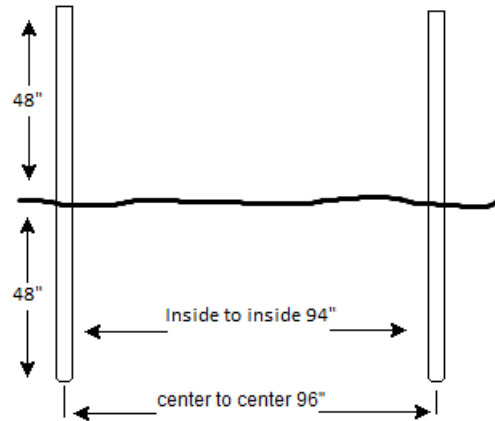
- A.** 5x5 Vinyl Posts (1)
- B.** 1-1/2" x 5-1/2" Pocket Rail (2)
- C.** 5x5 Post Cap (1)
- D.** 7/8" x 11.3" Tongue and Groove Panels (8)
- E.** 1-7/8" or 2-3/8" O.D. X 8' Long H.D. Galvanized Pipe (1)
- F.** 1-7/8" or 2-3/8" Adjustable Post Collars (2)
- G.** 93" Galvanized Metal Insert (1)
- H.** Vinyl 'U' Channel (2)



Vinyl Fence Installation Instructions

Step 1 Pounding Posts Setting Fence Layout

- **Before you begin pounding it is important to have the utilities checked to avoid puncturing any unseen lines.**
- **It is also important to check property lines before laying out your fence line.**
- In order to get each fence line straight it is best to run a string line at least 6" within your property to avoid encroaching adjacent property.
- Steel posts should be spaced 96" on center or 94" inside to inside (**one of the vinyl rails can be used as a spacer**) and pounded at least 3 to 4 deep. For 6' sections posts should be 72" on center.
- Use a level and your string line to ensure that the steel posts are as plumb as possible while pounding. Post collars will allow for adjustment after.



Step 2 Setting Post Collars

- Each post gets two sockets which consist of an inner ring and an outer ring.
- Slip inner rings cogs facing up and outer rings cogs facing down onto posts in alternating order starting with a small ring. It is recommended to slip both sets of collar assemblies (Inner and Outer Rings) over each Pipe prior to pounding into the ground because some lighter wall Pipe may "mushroom" on the pounded end and make it difficult to sleeve collars overtop afterwards.

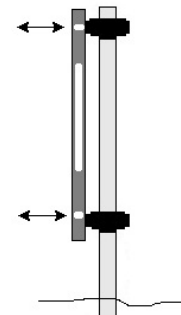
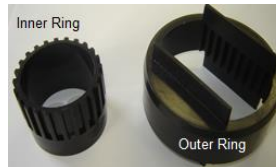


Figure A

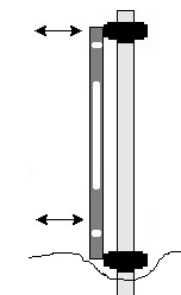


Figure B

Note: The bottom collar can be set below ground level by digging at base of post (Fig B.) or above the bottom rail 12-16" off ground (Fig A.) This will affect how you set your fence for height in Step 3.

- Next, fasten the smaller rings in position with self-tapping screws then using a level set the large rings of all the end and corner posts making sure they are plumb in both directions.
- It is best to set all bottom sockets in a parallel direction along the fence line and top sockets in a perpendicular direction away from the fence line.

Note: in the Figure A scenario It is best to space the collars consistently ie: 30" apart. This makes them easier to locate once the Vinyl Post is sleeved over top.

Vinyl Fence Installation Instructions

Step 3 String Line

- Once the corner and end post collars are set run the string-line on the top collars for each run of fence from end posts to corner posts etc. (Figure A)
- Adjust remaining collars to string and fasten to posts.
- Using the level, plumb the remaining bottom collars with the top collars and fasten to the posts.

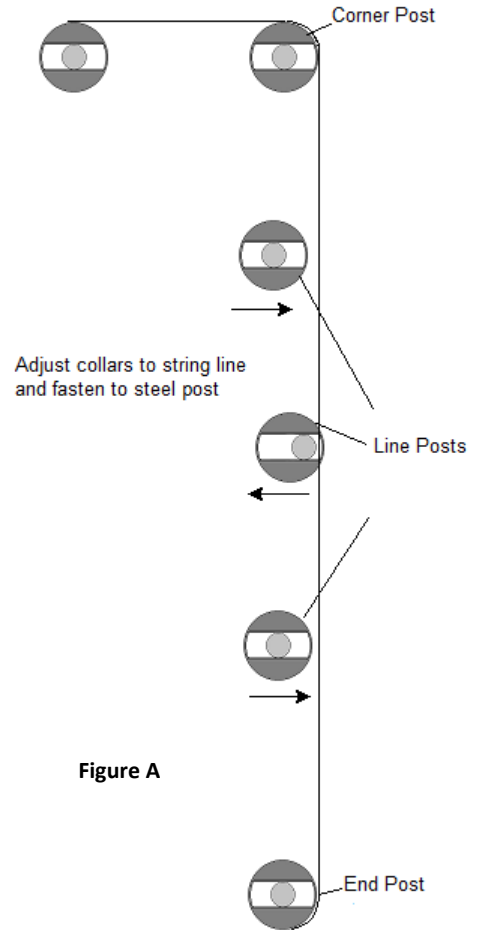


Figure A

Step 4 Setting posts for height

- Place all 5x5 vinyl posts over the steel posts & sockets (long end down) making sure they are in the correct positions, ie: line, corner, end etc.
- Insert all galvanized reinforcements into the 8' bottom rails and insert bottom rails into posts. **(NOTE: Some bottom Rails may need to be custom cut for length. Make sure the rails are tight between steel pipe)**
- Attach 'U' Channel between holes onto each post with one screw at the top (Figure B)

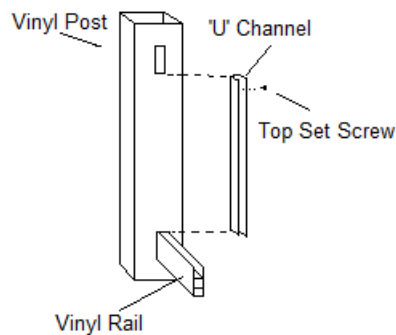
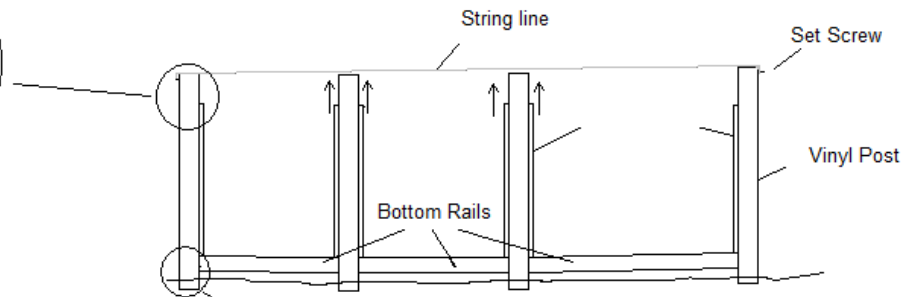
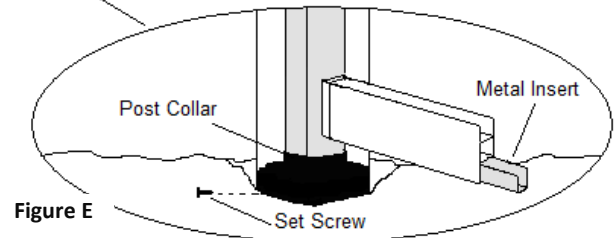
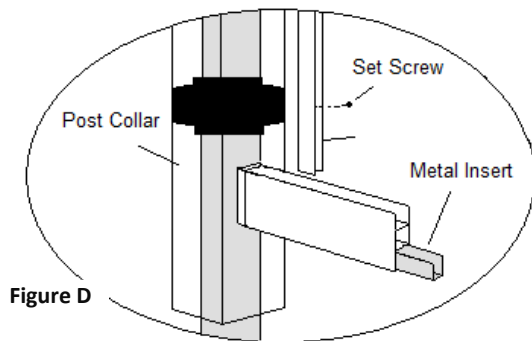
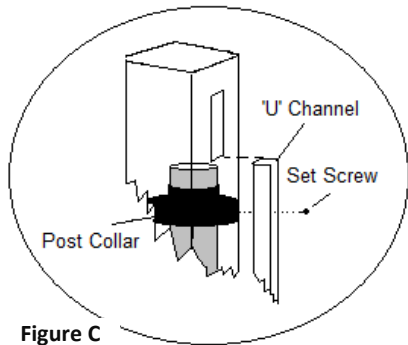


Figure B

Vinyl Fence Installation Instructions

- Set end posts and corner posts for height by inserting a screw (or two) into the lower socket through the vinyl post. (Figure D and E)
- Run a string over the top of posts from end to end of each fence line. Then set the rest of the posts to height by lifting to string and fastening to collars, either through U Channel and post into top collar (Figure C) or bottom Collar (Figure D), or through the post below the rail into bottom collar (Figure E).





Vinyl Fence Installation Instructions

Step 5 – Fence Boards and Top Rails

- Insert interlocking fence boards into bottom rails. (Figure A)
- In some sections a plank may need to be cut for width or a shim hidden behind u channel so the boards are snug.
- In sloped sections corners of boards at the top and bottom may need to be cut to accommodate the slope (Figure B)
- Insert top rails (Figure A) if there are no notches on rails put a set screw inside post into top rail. (Figure C).

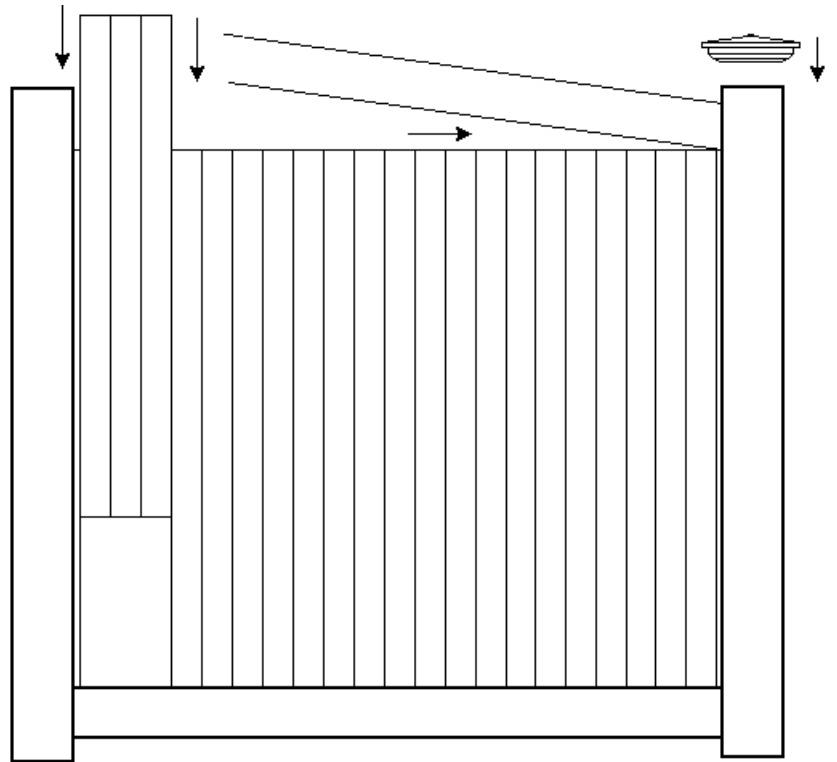


Figure A

- **Note:** If fence is picket or lattice accent it is easiest to put the accent together on ground first and insert after.
- Glue on Caps (Figure A).

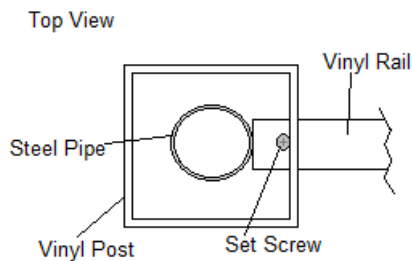


Figure C

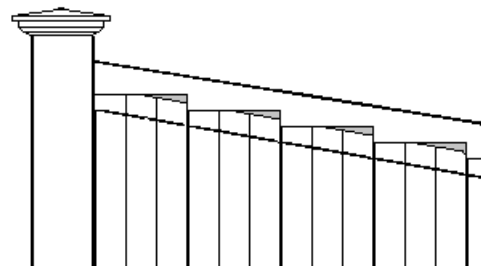


Figure B

Step 6 - Sit on your lawn Chair and enjoy your Maintenance Free Vinyl Fence!



Vinyl Fence Installation Instructions

Gate Installation

