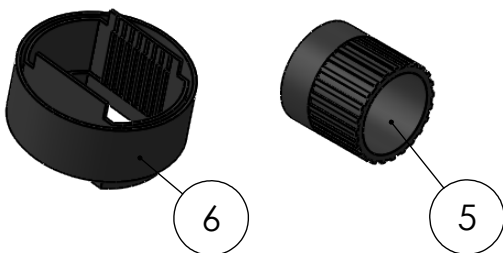
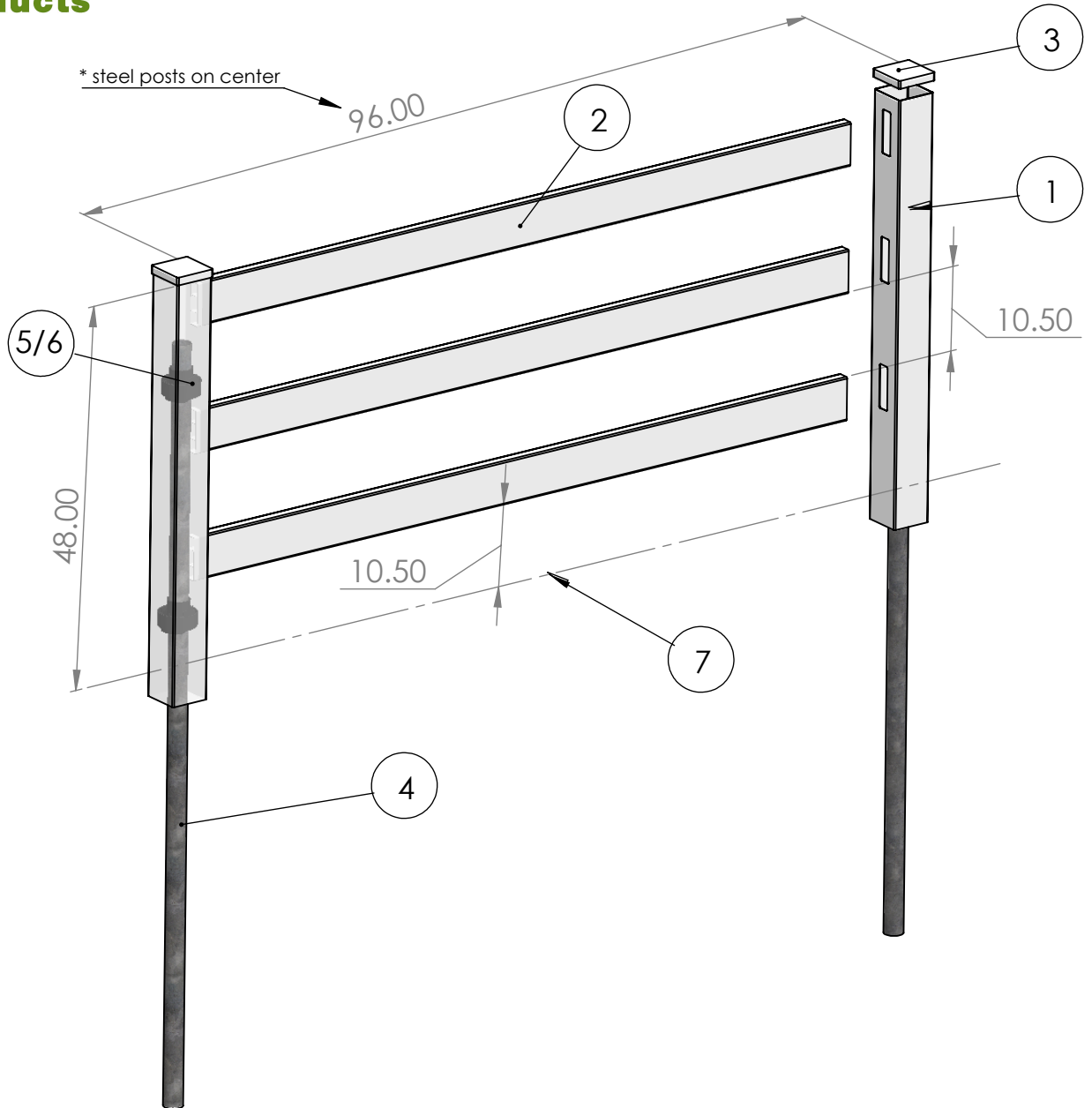


3 RAIL RANCH



1	5 x 5" POST	5 X 5 X 54"
2	RANCH RAIL	1.5 X 5.5 X 94.5'
3	PYRAMID CAP	5 X 5"
4	STEEL POST	2.875 or 1.875 X 94.5
5/6	POST COLLAR	2.875 or 1.875 ϕ
7	GROUND LEVEL	-----

** 2 - 3 and 4 rail standard in White
** All other colours special order